



## J & J Electric Actuator on DURAPIPE, VKD PVC Double Union Ball Valve

- BSP, Imperial and Metric Socket
- PVC Body, Full Flow
- EPDM or FPM Seals
- Fitted to J & J Electric Actuator
- On/Off Duty or Modulating Option

### Description

The VKD DualBlock® ball valve is a fully unionised valve that stands up to the most severe industrial applications and probably one of the most technically advanced on the market. Fitted to the J & J range of Electric Actuators, which are all built and tested in house.

EPDM and FPM seals are offered as options, as are the choice of end connections. Pressure rating: Maximum working pressure: 16 bar at 20°C. Options include choices of supply voltage and the option of fail safe battery back up and modulating control. Use our product selector tool to obtain the perfect valve for your application.

Patented DualBlock® system: The locking device ensures the union nuts are retained in position, even under the most arduous conditions, i.e. vibration or thermal expansion. Patented Seat Stop® ball seat carrier, with micro adjustment of the ball seats and 'take up' of axial pipe loads, which can all be done without the need to drain the system

 Durapipe 



### Description

Durapipe (FIP) offers a PVC plastic bodied ball valve (Type VKD). The valve is fitted complete with a J & J electric actuator, sized to offer both power and repeatability. As an automatic valve, it gives remote On/Off operation. The unit is lightweight and has options for both seal material and end connections, BSP threaded, with metric and imperial solvent weld ends.



### Beschreibung

Durapipe (FIP) bietet einen Kugelhahn mit PVC-Kunststoffgehäuse (Typ VKD) an. Das Ventil ist komplett mit einem elektrischen Stellantrieb von J & J ausgestattet, der so dimensioniert ist, dass er sowohl Leistung als auch Wiederholbarkeit bietet. Als automatisches Ventil bietet es ferngesteuerten Ein-/Aus-Betrieb. Die Einheit ist leicht und hat Optionen für Dichtungsmaterial und Endanschlüsse, BSP-Gewinde, mit metrischen und imperialen Quellschweißenden.



### Descripción

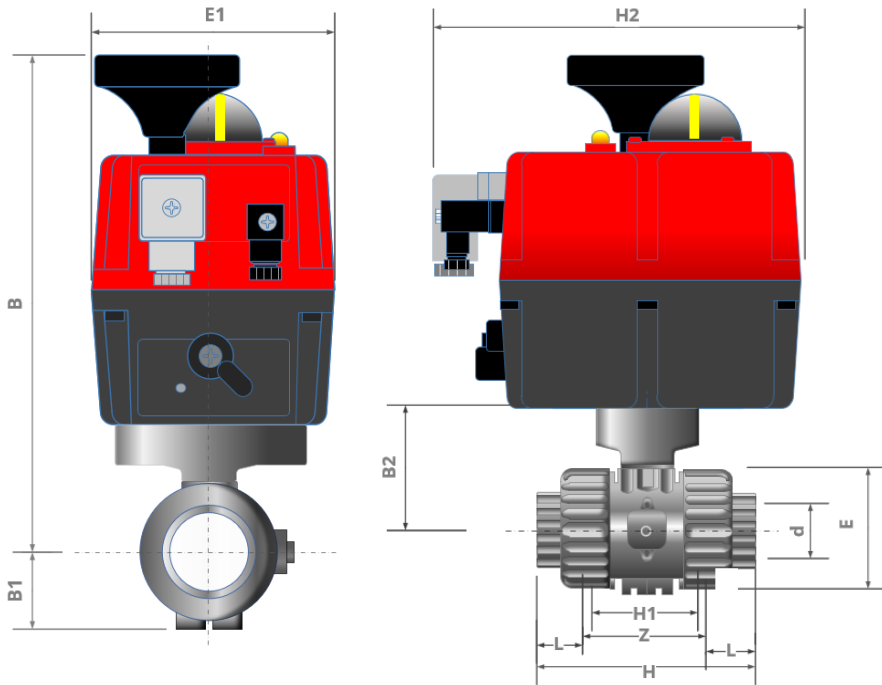
Durapipe (FIP) ofrece una válvula de bola con cuerpo de plástico de PVC (Tipo VKD). La válvula está equipada con un actuador eléctrico J & J, dimensionado para ofrecer tanto potencia como repetibilidad. Como válvula automática, proporciona una operación remota de encendido/apagado. La unidad es liviana y tiene opciones tanto para el material del sello como para las conexiones finales, rosca BSP, con extremos para soldar solventes métricos e imperiales.



### Description

Durapipe (FIP) propose une vanne à boisseau sphérique en plastique PVC (type VKD). La vanne est équipée d'un actionneur électrique J & J, dimensionné pour offrir à la fois puissance et répétabilité. En tant que vanne automatique, elle permet un fonctionnement marche/arrêt à distance. L'unité est légère et dispose d'options pour le matériau d'étanchéité et les connexions d'extrémité, filetés BSP, avec extrémités à souder au solvant métriques et impériales.

# EA5561



## J & J 4C Electric Actuator on VKD Ball Valve

- PVC Series VKD Ball Valve
- EPDM or FPM Seats
- Full Bore Various End Connections
- Reliable On/Off Electric Actuator
- IP67 weatherproof
- Manual override
- Anti-condensation heater
- Four limit switches
- Lightweight and Robust
- 12-24 VAC/DC & 110/240 VAC
- **Options** for Modulating Actuator
- **Options** for Fail Safe Close

### Serial/Series Number VKDFV-AP9019/AP9020

#### J & J 4C - BSP THREADED ENDS

d	DN	PN	Act	H	E	H <sub>1</sub>	H <sub>2</sub>	L	Z	B	B <sub>1</sub>	B <sub>2</sub>	E <sub>1</sub>
3/8"	10	16	J4 20	103	54	65	181	11.4	80.2	227	29	58	110
1/2"	15	16	J4 20	110	54	65	181	15	80	227	29	58	110
3/4"	20	16	J4 20	116	65	70	181	16.3	83.4	242.5	34.5	69	110
1"	25	16	J4 20	134	73	78	181	19.1	95.8	243	39	74	110
1 1/4"	32	16	J4 20	153	86	88	181	21.4	110.2	266	46	91	110
1 1/2"	40	16	J4 20	156	98	91	181	21.4	113.2	273	52	97	110
2"	50	16	J4 35	186	122	111	181	25.7	134.6	283	62	114	110

### Serial/Series Number VKDFLV-AP9019/AP9020

#### J & J 4C - BS IMPERIAL SOCKET ENDS

d	DN	PN	Act.	H	E	H <sub>1</sub>	H <sub>2</sub>	L	Z	B	B <sub>1</sub>	B <sub>2</sub>	E <sub>1</sub>
1/2"	15	16	J4 20	103	54	65	181	16.5	70	227	29	58	110
3/4"	20	16	J4 20	115	65	70	181	19	77	242.5	34.5	69	110
1"	25	16	J4 20	128	73	78	181	22.5	83	243	39	74	110
1 1/4"	32	16	J4 20	146	86	88	181	26	94	266	46	91	110
1 1/2"	40	16	J4 20	164	98	91	181	30	104	273	52	97	110
2"	50	16	J4 35	199	122	111	181	36	127	283	62	114	110

### Serial/Series Number VKDFIV-AP9019/AP9020

#### J & J 4C - METRIC SOCKET ENDS

d	DN	PN	Act.	H	E	H <sub>1</sub>	H <sub>2</sub>	L	Z	B	B <sub>1</sub>	B <sub>2</sub>	E <sub>1</sub>
16	10	16	J4 20	103	54	65	181	14	75	227	29	58	110
20	15	16	J4 20	103	54	65	181	16	71	227	29	58	110
25	20	16	J4 20	115	65	70	181	19	77	242.5	34.5	73.5	110
32	25	16	J4 20	128	73	78	181	22	84	243	39	74	110
40	32	16	J4 20	146	86	88	181	26	94	266	46	97	110
50	40	16	J4 20	164	98	91	181	31	102	273	52	104	110
63	50	16	J4 35	199	122	111	181	38	123	283	62	114	110

All information is sourced from our manufacturer's data and is intended for guidance only - Valves Online can accept no liability for changes, omissions or errors.



## J & J J4C Electric Actuator on VKD Ball Valve

- Polyamide Actuator
- Reliable On/Off Electric Actuator
- IP66 weatherproof
- Manual override, Optical Position Indicator
- Anti-condensation heater
- Adjustable limit switches
- Lightweight and Robust
- 12-24 VAC/DC & 110/240 VAC
- **Options** for Modulating Actuator
- **Options** for Fail Safe Close

### Serial/Series Number VKDFV-AP9019/AP9020

The J4C electric rotary actuator is a compact and powerful unit, designed for on/off duty, which provides a long service life. Materials and components have been chosen for maintenance free operation. The modular design offers many additional features such as brushless motor, limit switches, heaters, optical indicator and manual override, all housed in a Anti-Corrosive Polyamide enclosure.

Full actuator details can be found on SKU AP9019 & AP9020 on the valves online website.

### Standard Specification

Enclosure	:	Weatherproof IP67
Power Supply	:	110/220v 50/60Hz, 24 VAC/DC
Duty Rating	:	75%
Motor	:	Reversible Motor
Limit Switches	:	4 x SPDT NO Micro (2 x stop)
Space Heater	:	3.5W
Manual Override	:	Yes
Large Plug	:	EN175301-803 Form A
Small Plug	:	Din 43560/C
Travel Angle	:	0° - 270°
Ambient Temperature	:	minus 20°C to plus 70°C
Housing	:	Anti-Corrosive Polyamide

### Standard Specification

Type (model)	Max Output Torque	Operating Time 50/60Hz	Motor Class B	Rated Current (A)				Weight Kg
				24V	110V	220V	24VDC	
J4 20	20NM	9 Secs	W F	1.12	0.27	0.15	0.9	1.8
J4 35	35NM	9 Secs		1.58	0.36	0.19	1.28	1.9

- Output torques of 20 / 35Nm
- Reversible motor with low current consumption
- IP67 weatherproof
- Two Plug Connectors cable entries
- Manual override
- Anti-condensation heater
- Four limit switches
- Terminal strip

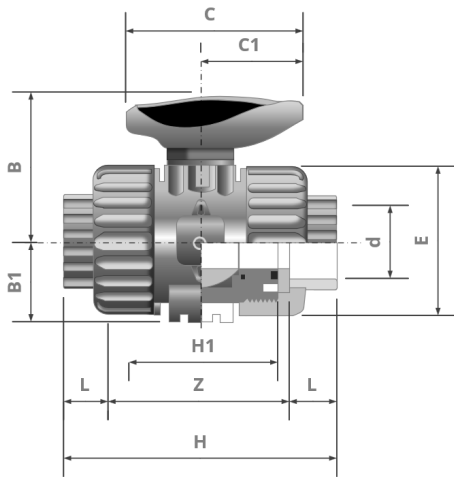
The modular design offers many additional features to be added to the basic device such as extra limit switches, potentiometers and emergency power.

With the control actuator version the input signals (eg. 4-20 mA, 0-20 mA, 0-10 V) as well as the output signals can be programmed.

Heating resistor and torque limiter are in standard, the housing is made of flame resistant material classified according to UL 94 V0

## Serial/Series Number VKDFV - BSP Threaded

A PVC-U plastic bodied ball valve. Offered as either a manual isolating valve and easily adapted to operate with actuators, this valve has options for both seal material. Sizes range from 3/8" - 2" BSP threaded.



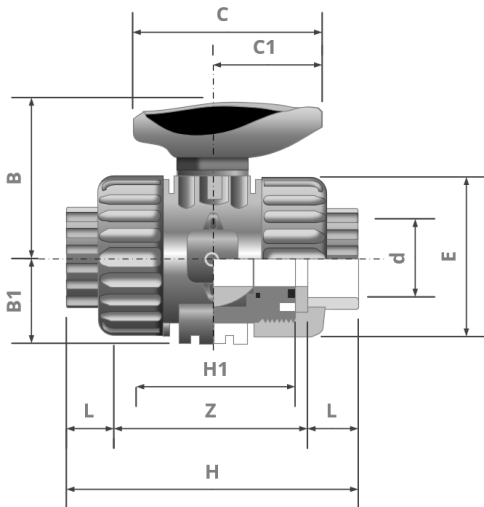
### SKU-BV5520

#### Dimensions - BSP THREADED ENDS

d	DN	PN	L	H	H1	E	B	B1	C	C1	Z****	N/m
3/8"	10	16	11.4	103	65	54	54	29	67	40	80.2	3
1/2"	15	16	15	110	65	54	54	29	67	40	73	3
3/4"	20	16	16.3	116	70	65	65	34.5	85	49	82.4	4
1"	25	16	19.1	134	78	73	69.5	39	85	49	89.8	6
1 1/4"	32	16	21.4	153	88	86	82.5	46	108	64	103.2	7
1 1/2"	40	16	21.4	156	91	98	89	52	108	64	121.2	10
2"	50	16	25.7	186	111	122	108	62	134	76	147.6	16

## Serial/Series Number VKDLV-BS Imperial Socket

A PVC-U plastic bodied ball valve. Offered as either a manual isolating valve and easily adapted to operate with actuators, this valve has options for both seal material. Sizes range from 1/2" - 2" BS Imperial Socket.



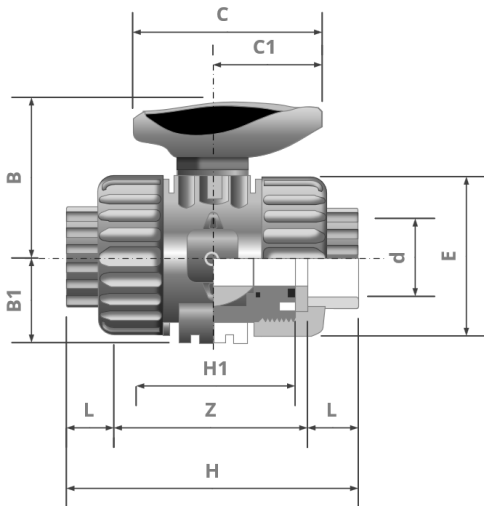
### SKU-BV5521

#### Dimensions - BS 5392 Female Solvent Ends

d	DN	PN	L	Z	H	H1	E	B	B1	C	C1	N/m
1/2"	15	16	16.5	70	103	65	54	54	29	67	40	3
3/4"	20	16	19	77	115	70	65	65	34.5	85	49	4
1"	25	16	22.5	83	128	78	73	69.5	39	85	49	6
1 1/4"	32	16	26	94	146	88	86	82.5	46	108	64	7
1 1/2"	40	16	30	104	164	91	98	89	52	108	64	10
2"	50	16	36	127	199	111	122	108	62	134	76	16

## Serial/Series Number VKDIV-Metric Socket

A PVC-U plastic bodied ball valve. Offered as either a manual isolating valve and easily adapted to operate with actuators, this valve has options for both seal material. Sizes range from 16mm - 63mm Metric Socket.

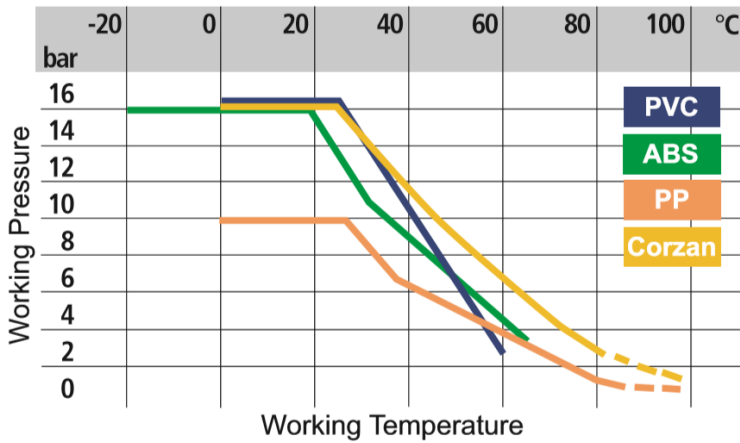


### SKU-BV5522

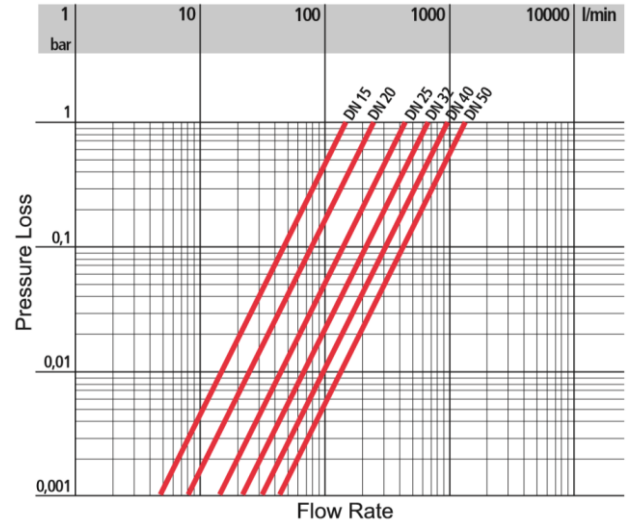
#### Dimensions - Female Metric Ends

d	DN	PN	L	Z	H	H1	E	B	B1	C	C1	N/m
16	10	16	14	75	103	65	54	54	29	67	40	3
20	15	16	16	71	103	65	54	54	29	67	40	4
25	20	16	19	77	115	70	65	65	34.5	85	49	6
32	25	16	22	84	128	78	73	69.5	39	85	49	7
40	32	16	26	94	146	88	86	82.5	46	108	64	9
50	40	16	31	102	164	91	98	89	52	108	64	10
63	50	16	38	123	199	111	122	108	62	134	76	16

## Dimensions and Standards



Pressure/temperature rating for water and harmless fluids to which the material is RESISTANT. In other cases a reduction of the PN is required. (25 years with safety factor).



DN	10	15	20	25	32	40	50
$k_{v100}$	80	200	385	770	1100	1750	3400

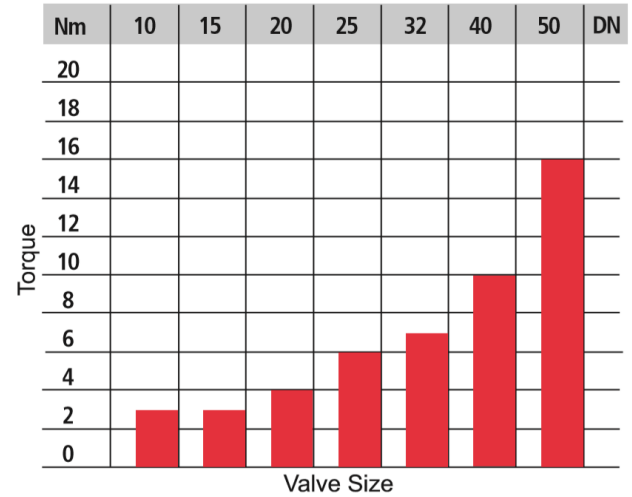
### Flow coefficient kv100

kv100 is the number of litres per minute of water at a temperature of 20°C that will flow through a valve with a one bar pressure differential at a specified rate. The kv100 values shown in the table are calculated with the valve fully open.

**Imperial** The Imperial System is manufactured in accordance with the relevant British Standards: BS 5392 fittings.

**Metric** The Metric System is manufactured generally in accordance with the relevant International Standards: ISO 15493, KIWA 49 and 549, DIN 8062 and 8063.

**BSP Thread** Threaded fittings conform to the requirements of BS 21/DIN 2999/ISO7. Socket dimensions of metric fittings for solvent welding comply with ISO/DIS 727-1. Interchangeability Components in the imperial and metric ranges are not interchangeable



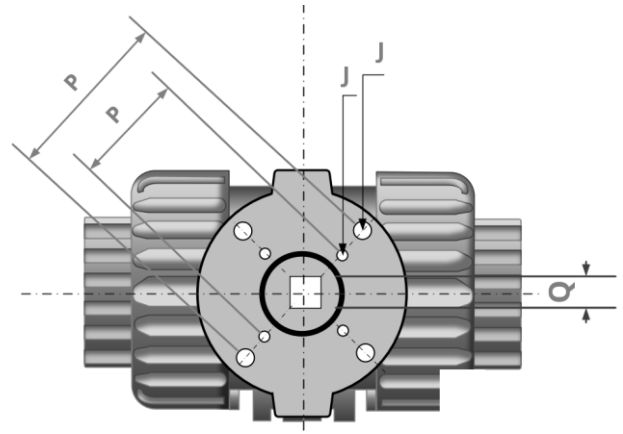
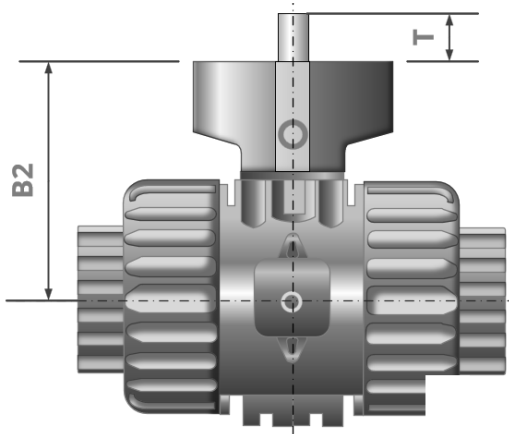
Torque at max. working pressure: 16 Bar.

DN (nominal bore)	Metric Size (mm)	Imperial Size (inch)
10	16	3/8"
15	20	1/2"
20	25	3/4"
25	32	1"
32	40	1 1/4"
40	50	1 1/2"
50	63	2"
65	75	2 1/2"
80	90	3"
100	110	4"
125	140	5"
150	160	6"
200	225	8"
250	250	10"
300	315	12"

All information is sourced from our manufacturer's data and is intended for guidance only - Valves Online can accept no liability for changes, omissions or errors.

## Accessories

## Mounting Bracket



The valve can be supplied actuated, pneumatic or electric, by our Actuation Department. The GR-PP mounting bracket (with standard ISO 5211 drillings) can be supplied for self-actuation and/or retrofitting of actuators to installed valves

d	DN	B2	Q	T	P x J	P x J	Product Code
1/2" - 20	15	58	11	12	F03 x 5.5	F04 x 5.5	KTPQPEF
3/4" - 25	20	69	11	12	F03 x 5.5	F05 x 6.5	KTPQPGG
3/4" - 25	20	69	11	12		F04 x 5.5	KTPQPG4
1" - 32	25	74	11	12	F03 x 5.5	F05 x 6.5	KTPQPHH
1" - 32	25	74	11	12		F04 x 5.5	KTPQPH4
1 1/4" - 40	32	91	14	16	F05 x 6.5	F07 x 7.5	KTPQPII
1 1/2" - 50	40	97	14	16	F05 x 6.5	F07 x 7.5	KTPQPJJ
2" - 63	50	114	14	16	F05 x 6.5	F07 x 7.5	KTPQPLL

## pneumatic



## Electric Options



Valves



HQ004