

SKU: BV4263

-  PVC-U Single Union Imperial Ended Ball Valve
-  PVC-U Einzel Union Kaiser Ended -Kugelhahn
-  Válvula de bola emperador PN10 PVC- U Sindicato Único medio

Valves[™]
O N L I N E

- 1/2 " - 4" Imperial PN10 PVC-U Single Union Ball Valve
- 1/2 " - 4" Kaiser PN10 PVC-U Einzel Union Kugelhahn
- 1/2 " - 4" Válvula de bola emperador PN10 PVC- U Sindicato Único medio

**PVC-U Imperial Single
Union Solvent Socket
Ball Valve**



- Low Maintenance
- Competitive Price
- Excellent Flow Characteristics
- Easy to Install
- Light Weight
- Ideally Suited for Irrigation and swimming pools

Description

Our Industrial range of PVC-U manual ball valve is the most frequently used valve in plastic industrial installations offering on/off operation. Imperial Single Union Solvent Socket x Male threaded, with EPDM seals and either PE Seats. PN10 rated



Description

Single union solvent socket female x female and solvent socket female x Male BSP Imperial PVC-U ball valve, with lever. Valve blocks in both directions. Maximum working pressure of 20°C at 10 bar with sizes 1/2" - 4" This valve has excellent flow characteristics, easy to install and competitive in price.



Beschreibung

Einzelanschlussklebemuffe weiblich weibliche und Klebemuffe x BSP AG Kaiser PVC-U Kugelhahn, mit Hebel . Ventilblöcke in beide Richtungen. Maximaler Betriebsdruck von 20 ° C bei 10 bar mit Größen 1/2 " - 4" Dieses Ventil hat ausgezeichnete Fließ charakterísticas , einfach zu installieren und im Preis konkurrierend .



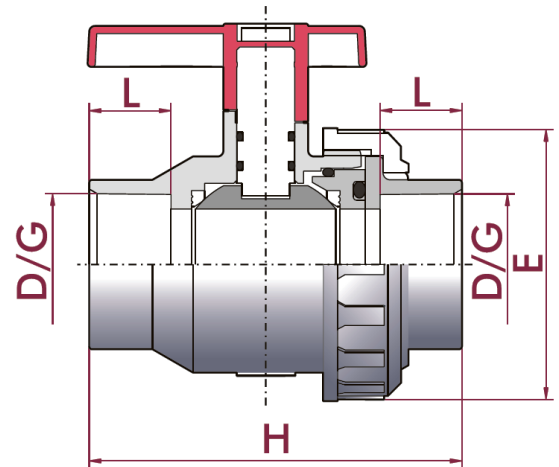
Descripción

Sindicato Único Encolar hembra x hembra y Encolar hembra x válvula de bola BSP macho Imperial U- PVC , con palanca. Los bloques de válvulas en ambos sentidos. Presión máxima de trabajo de 10 bar a 20 ° C con tamaños de 1/2 " - 4 " Esta válvula tiene excelentes características de flujo , fácil de instalar y competitivos en precio.

-  PVC-U Single Union Imperial Ended Ball Valve
-  PVC-U Einzel Union Kaiser Ended -Kugelhahn
-  Válvula de PVC- U Individual Unión Imperial Ended válvula de bola

PVC-U Single Union Solvent Socket Ball Valve

In-line Single union ball valve with Solvent Imperial female Socket or female socket with male BSP thread. Suitable for mounting in any position.



Dimensions				
Size D	DN	H	L	E
1/2"	20	84	16	51
3/4"	25	103	19	60
1"	32	117	22	69
1 1/4"	40	135	26	84
1 1/2"	50	128	31	93
2"	63	169	38	116
2 1/2"	75	240	44	128
3"	90	270	51	178
4"	110	TBA	TBA	TBA



20 years / water flow
20 années / fluide de l'eau
20 años / fluido agua
20 anos / caudal de água

Temperature / Température / Temperatura / Temperatura

Standard Valve Specification	
Body	PVC-U
Body Ends	Imperial Solvent Socket
O-Rings	in food grade EPDM
Seating seals	PE
Series	Industrial
Max. Fluid Pressure at 20°C	PN10
Working Temperature	see chart

SKU: BV4263

-  PVC-U Single Union Metric Ended Ball Valve
-  PVC-U Einzel Union Metric Ended -Kugelhahn
-  PVC- U Individual Unión Métricas Ended válvula de bola

Valves[™]
O N L I N E

- 15mm - 110mm Metric PVC-U Single Union Ball Valve
- 15mm - 110mm Metric PVC-U Einzel Union Kugelhahn
- 15 mm - 110 mm Válvula de bola Métricas PVC- U Individual Unión

**PVC-U Metric Single
Union Solvent Socket
Ball Valve**



- Low Maintenance
- Competitive Price
- Excellent Flow Characteristics
- Easy to Install
- Light Weight
- Ideally Suited for Irrigation and swimming pools

Description

Our Industrial range of PVC-U manual ball valve is the most frequently used valve in plastic industrial installations offering on/off operation. Metric Single Union Solvent Socket x Male threaded, with EPDM seals and either PE Seats. PN10 rated



Description

Single union solvent socket female x female and solvent socket female x Male BSP Metric PVC-U ball valve, with lever. Valve blocks in both directions. Maximum working pressure of 20°C at 10 bar with sizes ½" - 4" This valve has excellent flow characteristics, easy to install and competitive in price.






Beschreibung

Einzel Gewerkschaft Klebemuffe x weiblichen weiblichen und Klebemuffe x weiblich männlich BSP metrisch PVC-U Kugelhahn, mit Hebel . Ventilblöcke in beiden Richtungen. Maximaler Betriebsdruck von 20 ° C bei 10 bar mit Größen ½ " - 4" Dieses Ventil hat ausgezeichnete Fließigenschaften , einfach zu installieren und im Preis konkurrierend .



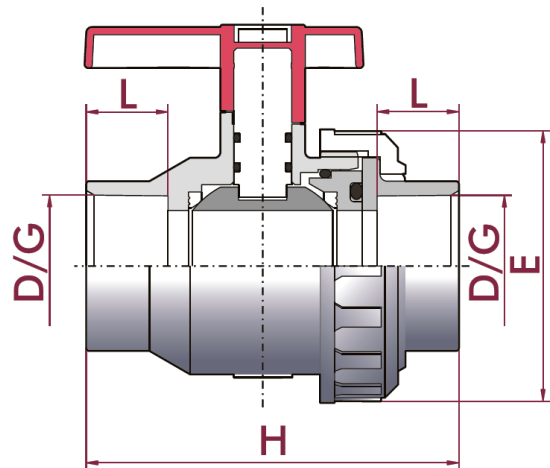
Descripción

Sindicato único disolvente femenina toma x hembra y encolar hembra toma x válvula de bola Hombre BSP Métricas PVC- U, con la palanca . Los bloques de válvulas en ambas direcciones. Presión máxima de trabajo de 20 ° C a 10 bar con tamaños de ½ " - 4 " Esta válvula tiene excelentes características de flujo , fácil de instalar y competitivos en precio.

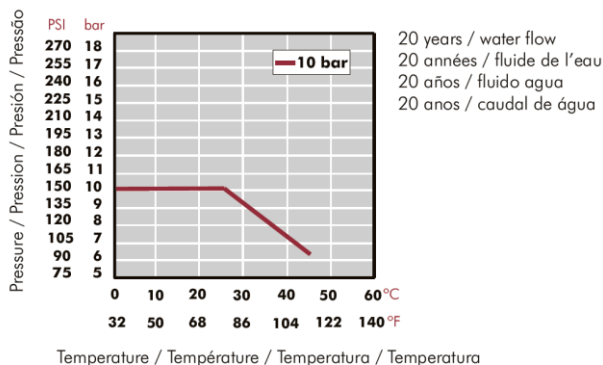
-  PVC-U Single Union Metric Ended Ball Valve
-  PVC-U Einzel Union Metric Ended -Kugelhahn
-  PVC- U Individual Unión Métricas Ended válvula de bola

PVC-U Metric Solvent Socket Ball Valve

In-line Single union ball valve with Solvent Imperial female Socket or female socket with male BSP thread. Suitable for mounting in any position.






Dimensions				
Size D	DN	H	L	E
1/2"	20	84	16	51
3/4"	25	103	19	60
1"	32	117	22	69
1 1/4"	40	135	26	84
1 1/2"	50	128	31	93
2"	63	169	38	116
2 1/2"	75	240	44	128
3"	90	270	51	178
4"	110	TBA	TBA	TBA



Standard Valve Specification	
Body	PVC-U
Body Ends	Metric Solvent Socket
O-Rings	in food grade EPDM
Seating seals	PE
Series	Industrial
Max. Fluid Pressure at 20°C	PN10
Working Temperature	see chart

SKU: BV4263

-  PVC-U Single Union Screwed BSP Ended Ball Valve
-  PVC-U Einzel Union Geschraubt BSP Ended -Kugelhahn
-  PVC- U Individual Unión atornillada BSP Ended válvula de bola

Valves[™]
O N L I N E

- 1/2" - 4" Screwed BSP PVC-U Single Union Ball Valve
- 1/2" - 4" Screwed BSP PVC-U Einzel Union Kugelhahn
- 1/2" - 4" Válvula de bola roscadas BSP PVC- U Sindicato Único medio

Single Union PVC-U Screwed BSP Ball Valve



- Low Maintenance
- Competitive Price
- Excellent Flow Characteristics
- Easy to Install
- Light Weight
- Ideally Suited for Irrigation and swimming pools

Description

Our Industrial range of PVC-U manual ball valve is the most frequently used valve in plastic industrial installations offering on/off operation. Imperial Single Union Solvent Socket x Male threaded, with EPDM seals and either PE Seats. PN10 rated



Description

Single union Screwed BSP and BSP female x Male thread PVC-U ball valve, with lever. Valve blocks in both directions. Maximum working pressure of 20°C at 10 bar with sizes ½" - 4" This valve has excellent flow characteristics, easy to install and competitive in price.




Beschreibung

Einzelanschluss Screwed BSP und BSP -Gewinde und PVC-U Kugelhahn, mit Hebel . Ventilblöcke in beide Richtungen. Maximaler Betriebsdruck von 20 ° C bei 10 bar mit Größen ½ "- 4" Dieses Ventil hat ausgezeichnete Fließ characteristics , einfach zu installieren und im Preis konkurrierend .



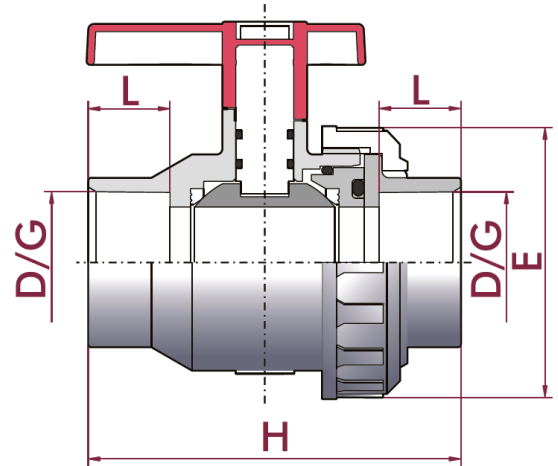
Descripción

Sindicato Único Roscadas BSP y BSP hembra x veces de válvula de bola de PVC- U, con la palanca . Los bloques de válvulas en ambos sentidos. Presión máxima de trabajo de 10 bar a 20 ° C con tamaños de ½ " - 4 " Esta válvula tiene excelentes características de flujo , fácil de instalar y competitivos en precio.

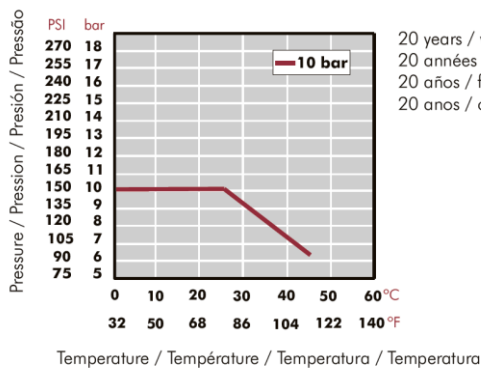
-  VOLT PVC-U Screwed BSP Ball Valve
-  VOLT PVC-U Geschraubt BSP Kugelventil
-  Válvula de bola roscadas BSP VOLT PVC- U

PVC-U Screwed Ball Valve

In-line Single union ball valve with BSP female thread and solvent female x male BSP thread. Suitable for mounting in any position.



Dimensions				
Size D	DN	H	L	E
1/2"	20	84	16	51
3/4"	25	103	19	60
1"	32	117	22	69
1 1/4"	40	135	26	84
1 1/2"	50	128	31	93
2"	63	169	38	116
2 1/2"	75	240	44	128
3"	90	270	51	178
4"	110	TBA	TBA	TBA



Standard Valve Specification

Body	PVC-U
Body Ends	BSP female and BSP f x m
O-Rings	in food grade EPDM
Seating seals	PE
Series	Industrial
Max. Fluid Pressure at 20°C	PN10
Working Temperature	see chart